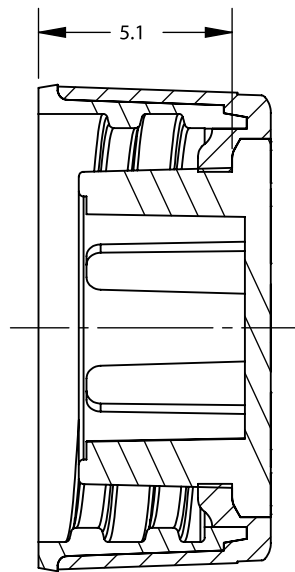
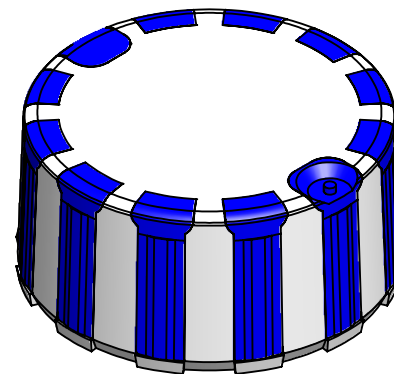
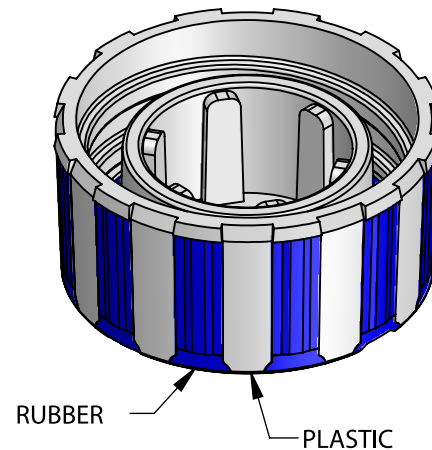



SECTION B-B
SCALE: 5 : 1

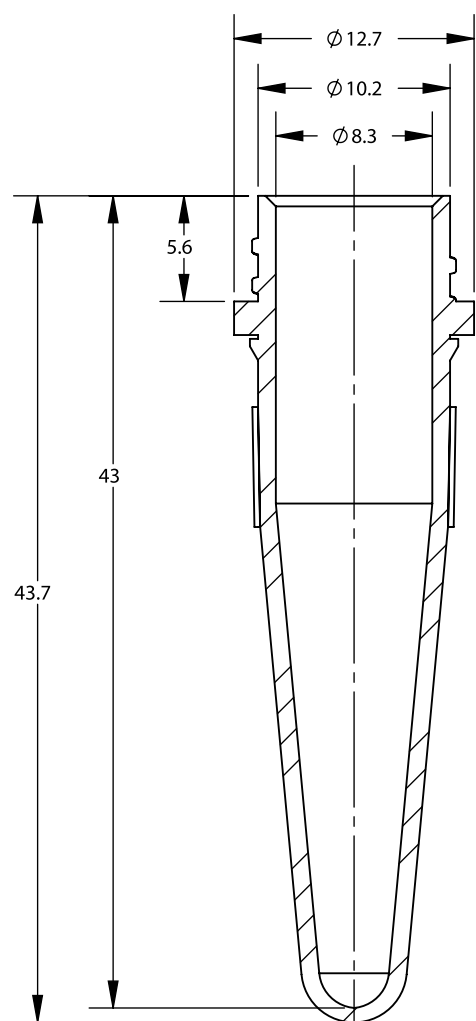
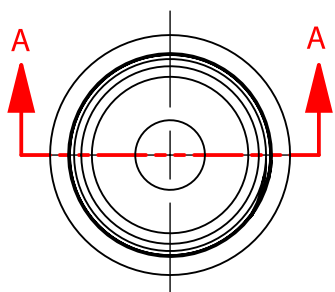


SECTION A-A
SCALE: 5 : 1

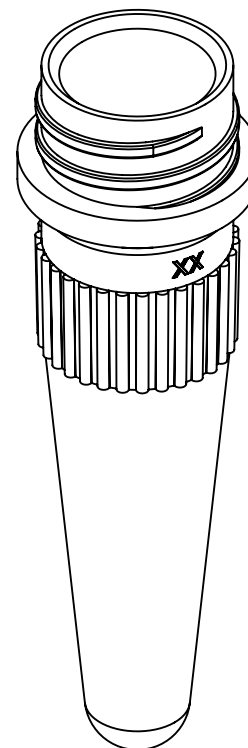



UNLESS OTHERWISE SPECIFIED DIMENSIONS ARE IN MILLIMETERS	CAD GENERATED DRAWING, DO NOT MANUALLY UPDATE		 1310 Thurman Street Lodi CA, 95240 Ph: (209) 333-2120 Fx: (209) 333-8623 info@scientificspecialties.com
	APPROVALS	DATE	
SSI MATERIAL:	CHECKED:	DRAWN: P. DO	3/21/2018
MANUFACTURER'S MATERIAL:	DESIGN ENG:	2005-XX GIIPSEAL SCREW CAP	
FINISH:	MFG ENG:		
DO NOT SCALE DRAWING	QUAL ENG:	SIZE: A SHRINK RATE:	REV.: REL
		SCALE: 1:1	JOB NO.: SHEET: 1 OF 1

PRINTED: 3/21/2018



SECTION A-A
SCALE: 2.5 : 1



UNLESS OTHERWISE SPECIFIED DIMENSIONS ARE IN MILLIMETERS	CAD GENERATED DRAWING, DO NOT MANUALLY UPDATE		 1310 Thurman Street Lodi CA, 95240 Ph: (209) 333-2120 Fx: (209) 333-8623 info@scientificspecialties.com
	APPROVALS	DATE	
SSI MATERIAL:	CHECKED:	DRAWN: P. DO	7/20/2016
MANUFACTURER'S MATERIAL:	DESIGN ENG:	2510-XX 1.5mL SCREW CAP TUBE-CONICAL RIBBED	
FINISH:	MFG ENG:		
DO NOT SCALE DRAWING	QUAL ENG:	SIZE: A SHRINK RATE:	REV.: 1
		SCALE: 1:1	JOB NO.: SHEET: 1 OF 1

PRINTED: 7/20/2016