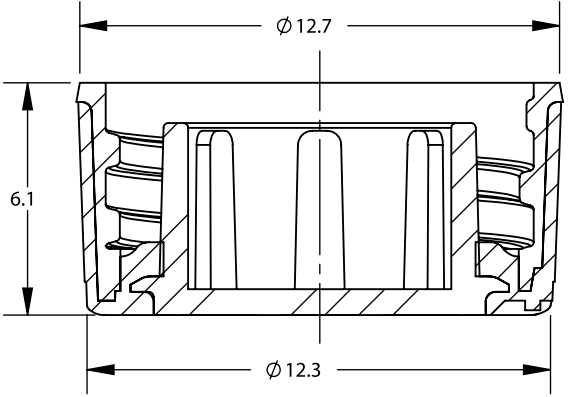
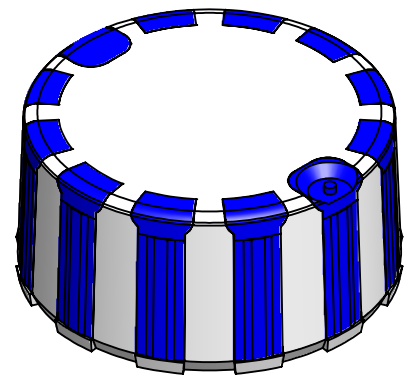



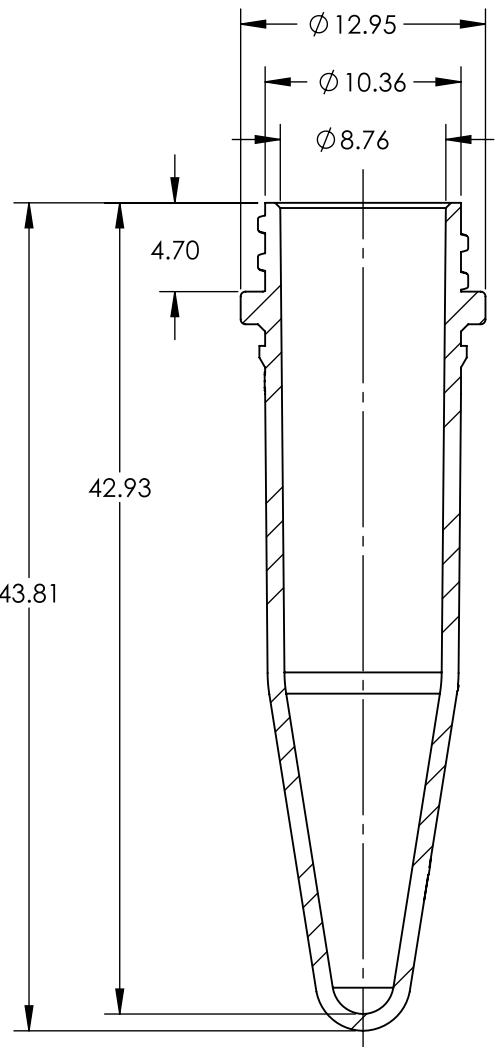
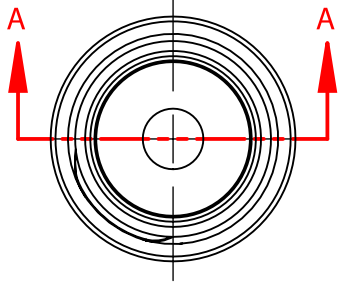
SECTION A-A  
SCALE: 5 : 1



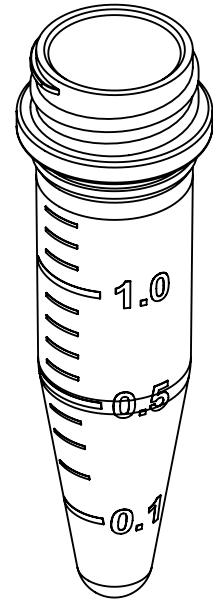
SECTION B-B  
SCALE: 5 : 1




UNLESS OTHERWISE SPECIFIED DIMENSIONS ARE IN MILLIMETERS	CAD GENERATED DRAWING, DO NOT MANUALLY UPDATE		 <b>2005-XX</b> GIIPSEAL SCREW CAP	1310 Thurman Street Lodi CA, 95240 Ph: (209) 333-2120 Fx: (209) 333-8623 info@scientificspecialties.com
	APPROVALS	DATE		
SSI MATERIAL:	DRAWN: P. DO	3/21/2018	SIZE: A	SHRINK RATE:
MANUFACTURER'S MATERIAL:	CHECKED:		SCALE: 1:1	JOB NO.:
FINISH:	DESIGN ENG:		DO NOT SCALE DRAWING	QUAL ENG:
	MFG ENG:		REVISIONS:	REL
	QUAL ENG:		SCALE: 1:1	JOB NO.:
			SHEET: 1 OF 1	



SECTION A-A  
SCALE: 2.5 : 1



UNLESS OTHERWISE SPECIFIED DIMENSIONS ARE IN MILLIMETERS	CAD GENERATED DRAWING, DO NOT MANUALLY UPDATE		 <b>2530-00 (METRIC)</b> 1.5mL SCREW CAP TUBE - GRADUATED	1310 Thurman Street Lodi CA, 95240 Ph: (209) 333-2120 Fx: (209) 333-8623 info@scientificspecialties.com
	APPROVALS	DATE		
SSI MATERIAL:	DRAWN: P. DO	3/18/2015	SIZE: A	SHRINK RATE:
MANUFACTURER'S MATERIAL:	CHECKED:		SCALE: 1:1	JOB NO.:
FINISH:	RESP ENG:		DO NOT SCALE DRAWING	QUAL ENG:
	MFG ENG:		REVISIONS:	REL
	QUAL ENG:		SCALE: 1:1	JOB NO.:
			SHEET: 1 OF 1	