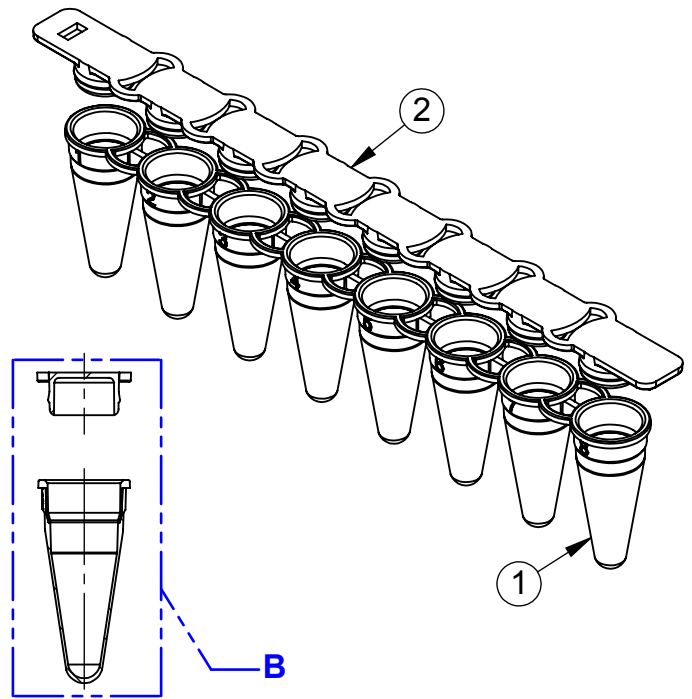



DETAIL B



SECTION A-A

ITEM NO.	PART NUMBER	DESCRIPTION	QTY.
1	3142-XX-R3	8-STRIP LOW PROFILE TUBE	1
2	3105-XX-R6	8-STRIP PCR TUBE W/ FLAT CAP (EASY SEAL)	1

UNLESS OTHERWISE SPECIFIED DIMENSIONS ARE IN MILLIMETERS	CAD GENERATED DRAWING, DO NOT MANUALLY UPDATE		 1310 Thurman Street Lodi CA, 95240 Ph: (209) 333-2120 F: (209) 333-8623 info@scientificspecialties.com
	APPROVALS	DATE	
SSI MATERIAL:	DRAWN: P. DO	11/8/2016	3145-XX 8-STRIP COMBO TUBE & CAP
MANUFACTURER'S MATERIAL:	CHECKED:		
FINISH:	DESIGN ENG:		
DO NOT SCALE DRAWING	MFG ENG:		
	QUAL ENG:		SIZE: SHRINK RATE: REV.: A 1
		SCALE: 1:1	JOB NO.: SHEET: 1 OF 1

PRINTED 11/8/2016