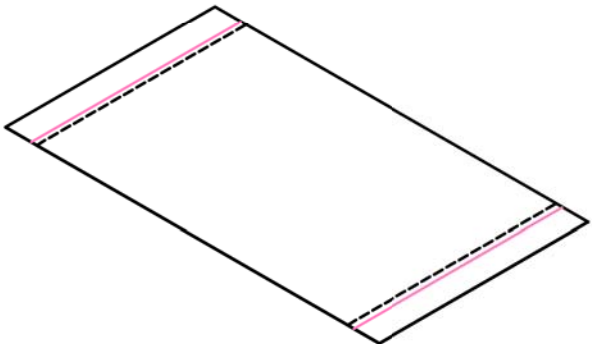
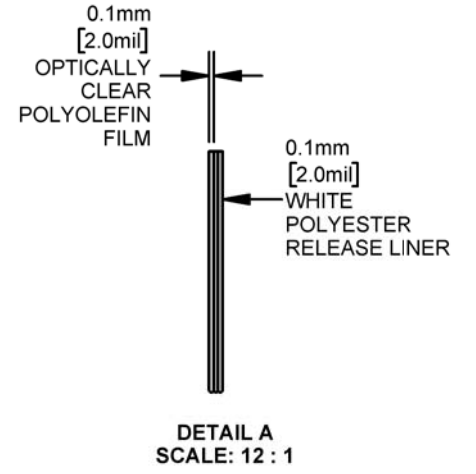
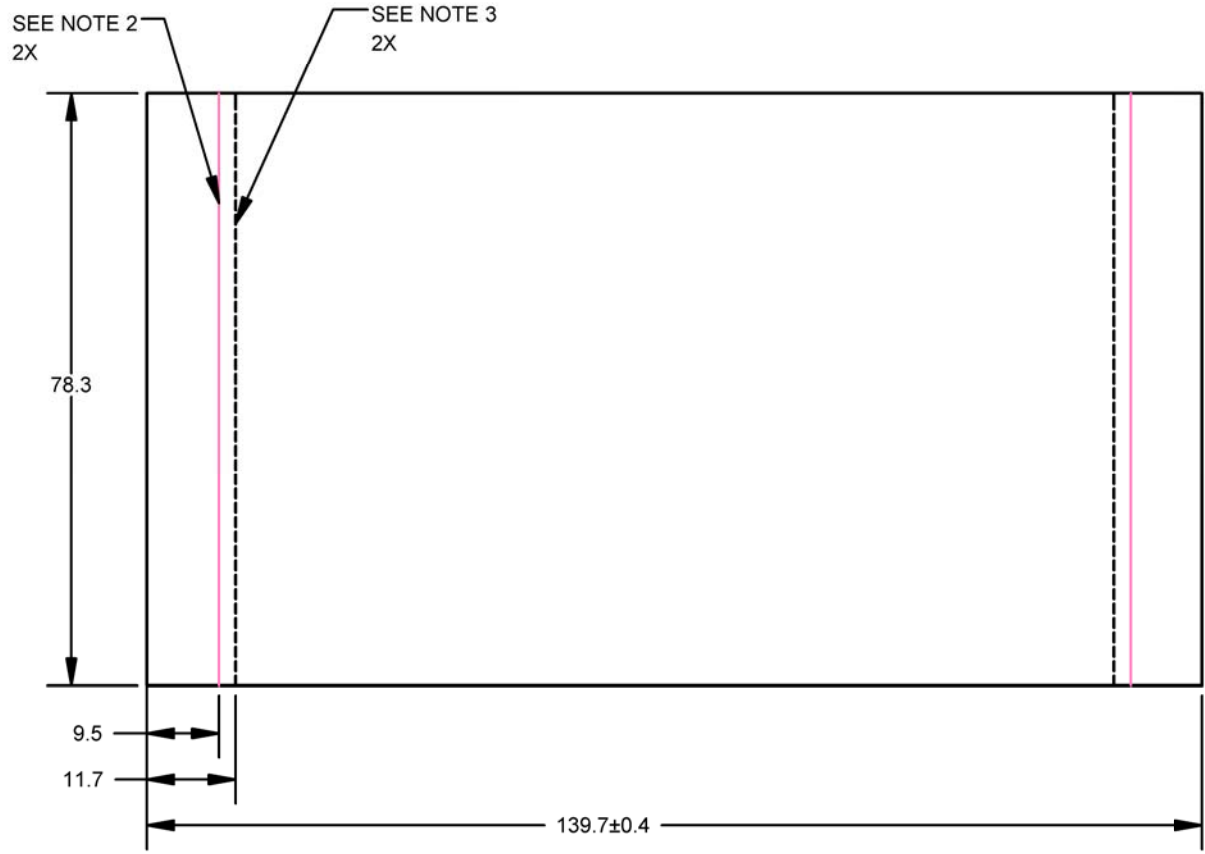



NOTE(S): UNLESS OTHERWISE SPECIFIED.

1. MATERIAL: 2.0mil OPTICALLY CLEAR POLYOLEFIN FILM WITH 1.8-2.2mil SILICONE ADHESIVE ON A 2.0mil WHITE POLYESTER RELEASE LINER.
2. BACKSCORES THROUGH 2.0mil WHITE POLYESTER RELEASE LINER ONLY.
3. PERFORATIONS THROUGH 2.0mil OPTICALLY CLEAR POLYOLEFIN FILM ONLY.



UNLESS OTHERWISE SPECIFIED DIMENSIONS ARE IN MILLIMETERS	CAD GENERATED DRAWING, DO NOT MANUALLY UPDATE		 1310 Thurman Street Lodi CA, 95240 Ph: (209) 333-2120 Fx: (209) 333-8623 info@scientificspecialties.com
	APPROVALS	DATE	
SSI MATERIAL:	DRAWN: P. DO	2/22/2018	3651-00-XL THERMALSEAL RTS
MANUFACTURER'S MATERIAL:	CHECKED:		
FINISH:	DESIGN ENG:		SIZE: SHRINK RATE: A
DO NOT SCALE DRAWING	MFG ENG:		
	QUAL ENG:		REV.: REL
		SCALE: 1:2	JOB NO.: SHEET: 1 OF 1

PRINTED 2/22/2018