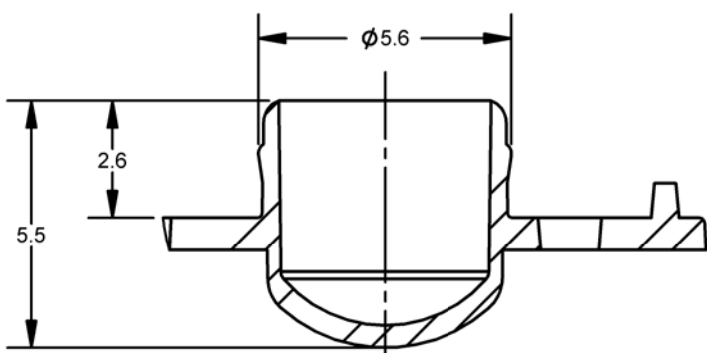
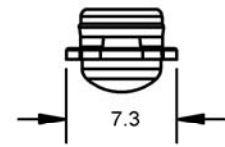

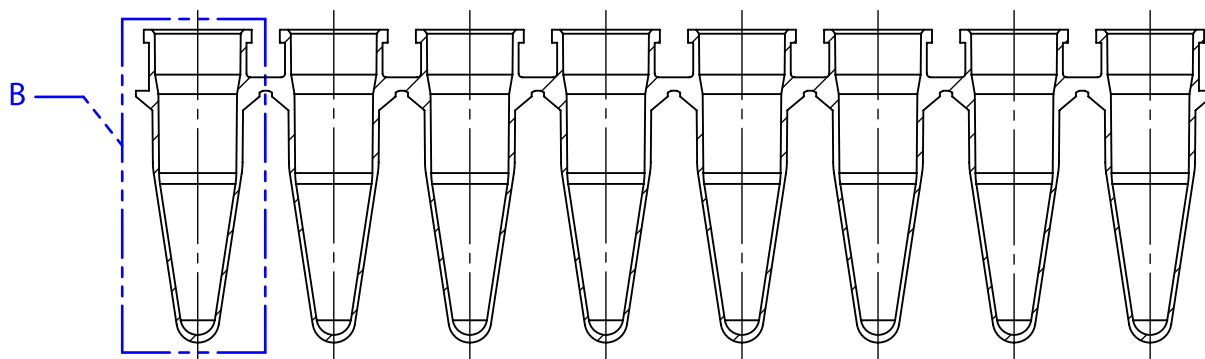
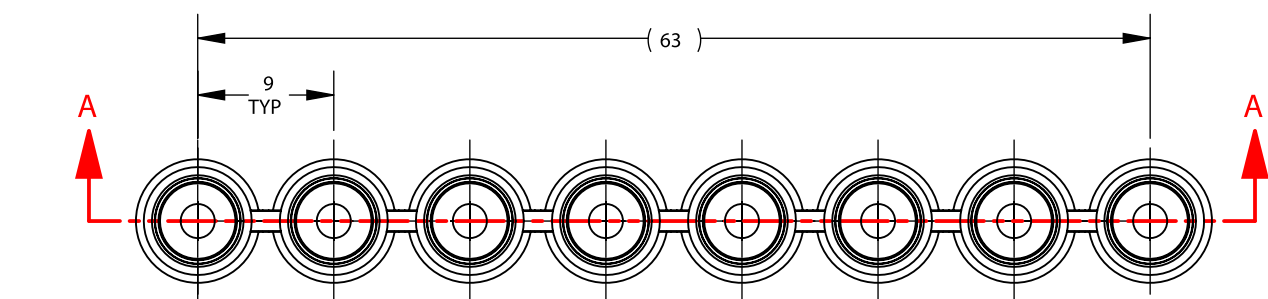


SECTION A-A
SCALE 2 : 1

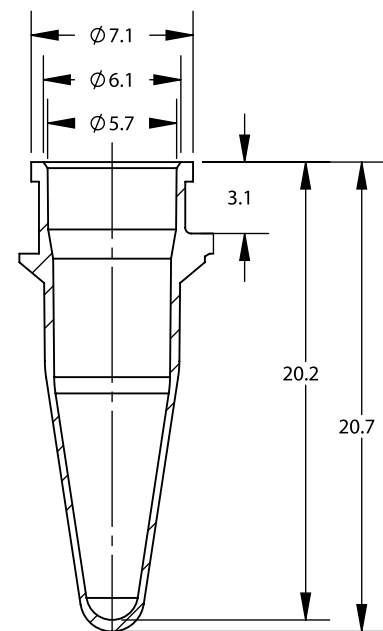
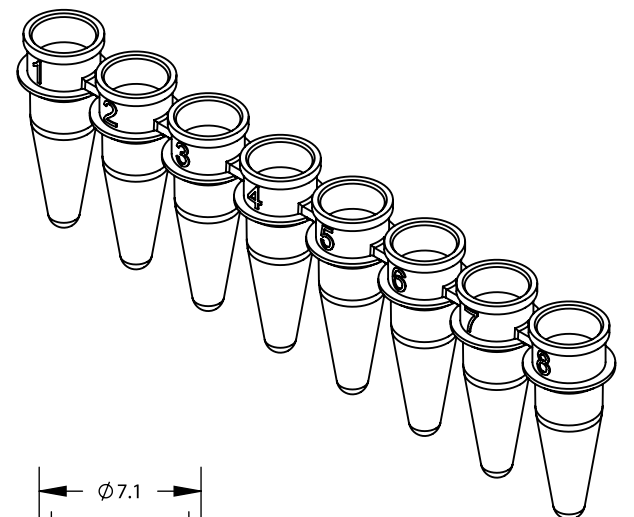


DETAIL D
SCALE 6 : 1
TYP


UNLESS OTHERWISE SPECIFIED DIMENSIONS ARE IN MILLIMETERS	CAD GENERATED DRAWING. DO NOT MANUALLY UPDATE		 1310 Thurman Street Lodi CA, 95240 Ph: (209) 333-2120 Fx: (209) 333-8623 info@scientificspecialties.com
	APPROVALS	DATE	
SSI MATERIAL:	DRAWN: P. DO	7/25/2016	3102-XX 8-STRIP PCR TUBE W/ DOME CAP (EASY SEAL)
MANUFACTURER'S MATERIAL:	CHECKED:		
FINISH:	DESIGN ENG:		SIZE: A
DO NOT SCALE DRAWING	MFG ENG:		SHRINK RATE:
	QUAL ENG:		SCALE: 1:1
			REV.: 3
			JOB NO.:
			SHEET: 1 OF 1



SECTION A-A
SCALE: 2 : 1



DETAIL B
SCALE:
TYP 3 : 1

UNLESS OTHERWISE SPECIFIED DIMENSIONS ARE IN MILLIMETERS	CAD GENERATED DRAWING. DO NOT MANUALLY UPDATE		 1310 Thurman Street Lodi CA, 95240 Ph: (209) 333-2120 Fx: (209) 333-8623 info@scientificspecialties.com
	APPROVALS	DATE	
SSI MATERIAL:	DRAWN: P. DO	7/25/2016	3111-XX 8-STRIP PCR TUBE
MANUFACTURER'S MATERIAL:	CHECKED:		
FINISH:	DESIGN ENG:		SIZE: A
DO NOT SCALE DRAWING	MFG ENG:		SHRINK RATE:
	QUAL ENG:		SCALE: 1:1
			REV.: 4
			JOB NO.:
			SHEET: 1 OF 1