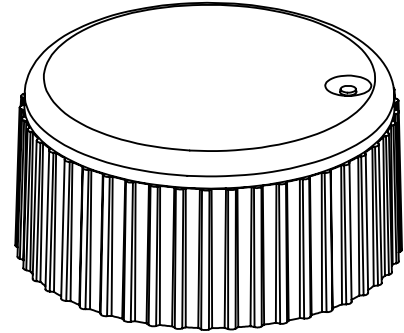
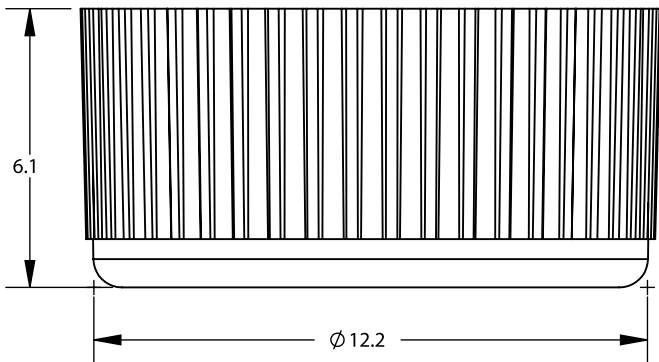
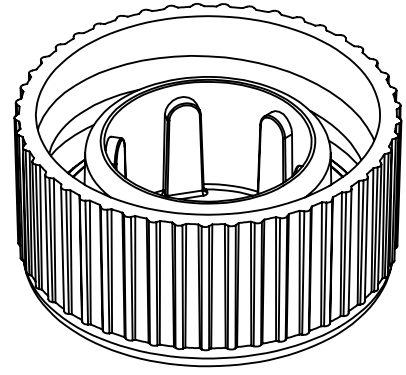


SECTION A-A
SCALE: 5 : 1



UNLESS OTHERWISE SPECIFIED
DIMENSIONS ARE IN MILLIMETERS

CAD GENERATED DRAWING,
DO NOT MANUALLY UPDATE

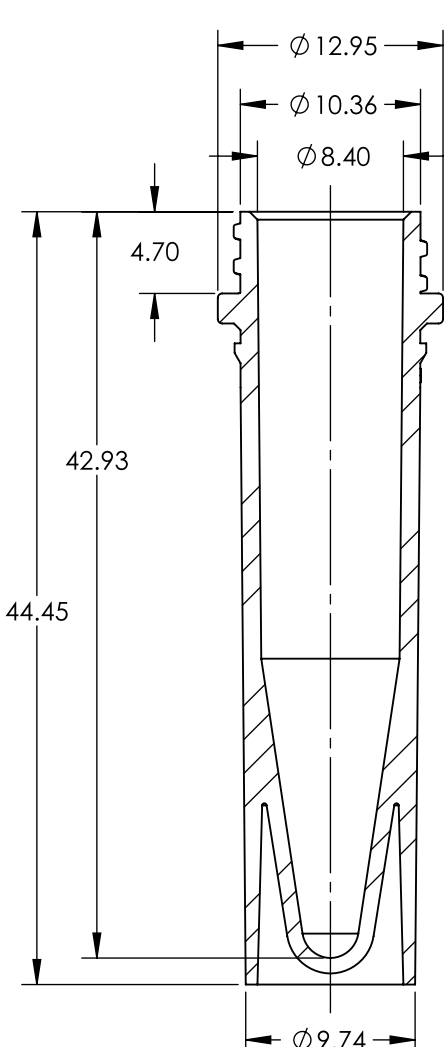
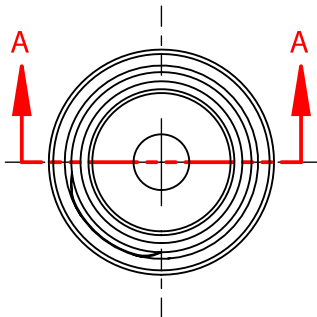


1310 Thurman Street
Lodi CA, 95240
Ph: (209) 333-2120
Fx: (209) 333-8623
info@scientificspecialties.com

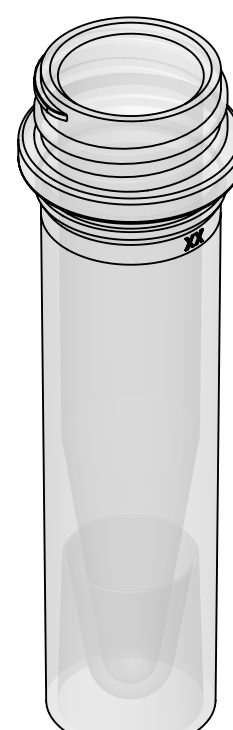
	APPROVALS		DATE
	DRAWN: P. DO		3/21/2018
SSI MATERIAL:	CHECKED:		
MANUFACTURER'S MATERIAL:	RESP ENG:		
FINISH:	MFG ENG:		
DO NOT SCALE DRAWING	QUAL ENG:		

2001-XX	
SCREW CAP ASSEMBLY	
SIZE: A	SHRINK RATE:
SCALE: 1:1	JOB NO.:
REV.: REL	SHEET: 1 OF 1

PRINTED 3/21/2018



SECTION A-A
SCALE: 2.3 : 1



UNLESS OTHERWISE SPECIFIED
DIMENSIONS ARE IN MILLIMETERS
TOLERANCES ARE:
DECIMALS ANGLES

CAD GENERATED DRAWING,
DO NOT MANUALLY UPDATE



1310 Thurman Street
Lodi CA, 95240
Ph: (209) 333-2120
Fx: (209) 333-8623
info@scientificspecialties.com

	APPROVALS		DATE
	DRAWN: P. DO		9/18/2015
SSI MATERIAL:	CHECKED:		
MANUFACTURER'S MATERIAL:	RESP ENG:		
FINISH:	MFG ENG:		
DO NOT SCALE DRAWING	QUAL ENG:		

2540-00	
1.5mL SCREW CAP TUBE - SKIRTED	
SIZE: A	SHRINK RATE: ---
SCALE: 1:1	JOB NO.:
REV.: 1	SHEET: 1 OF 1

PRINTED 9/18/2015