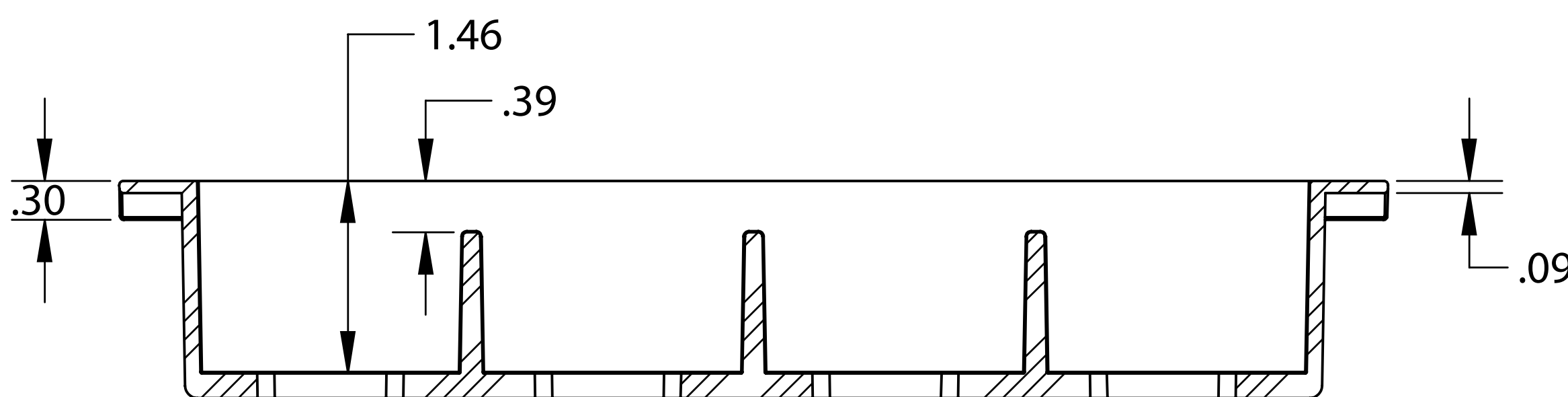
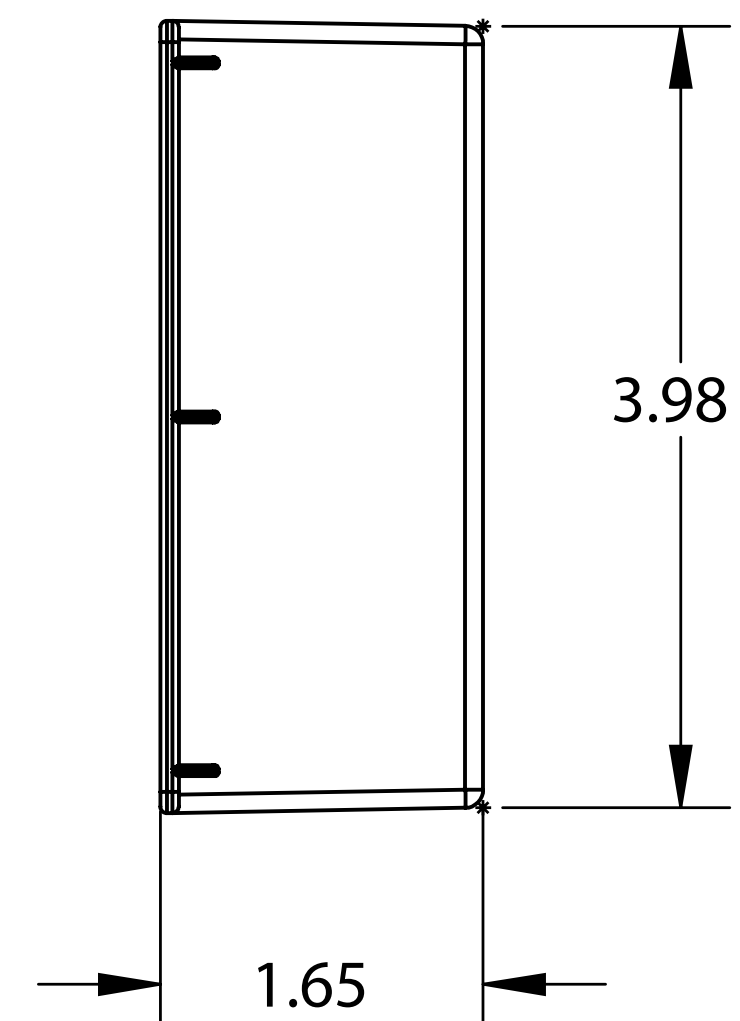
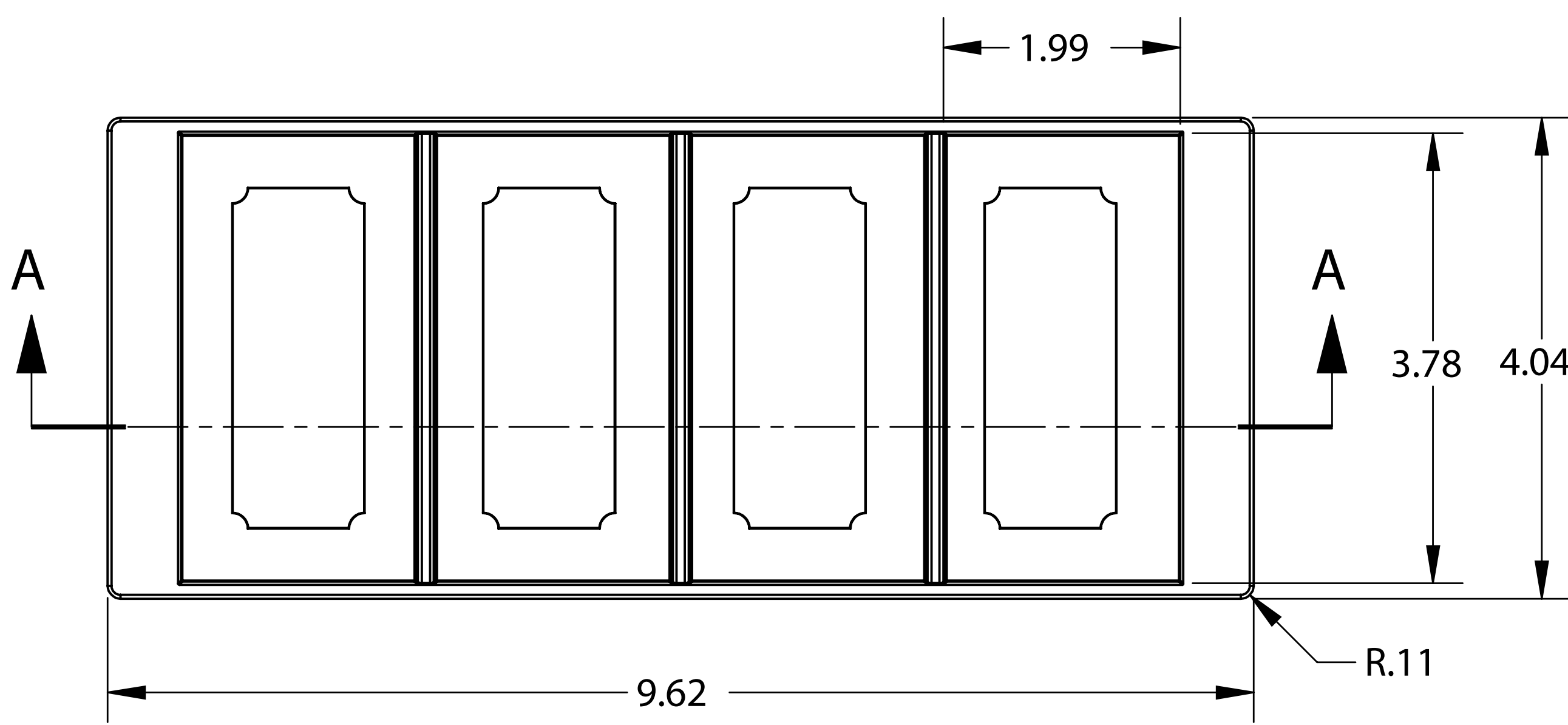
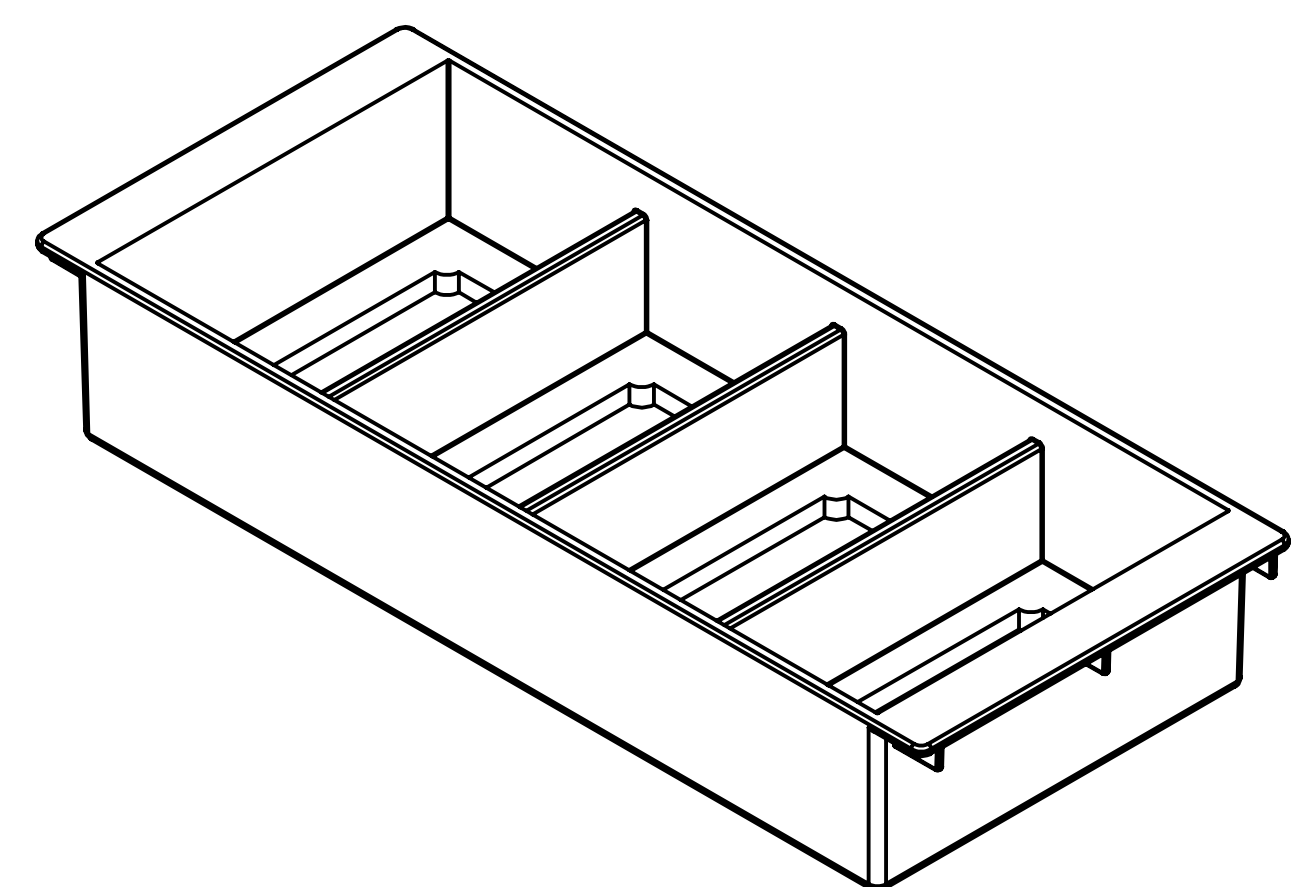

 1310 Thurman Street Lodi CA, 95240 Ph: (209) 333-2120 Fx: (209) 333-8623 info@scientificspecialties.com	TITLE: 4-WAY FLIPPER RACK		
	UNLESS OTHERWISE SPECIFIED DIMENSIONS ARE IN MILLIMETERS	ITEM: 5402-XX (TR2)	REV.: REL



SECTION A-A



UNLESS OTHERWISE SPECIFIED DIMENSIONS ARE IN INCHES TOLERANCES ARE: FRACTIONS DECIMALS ANGLES $\pm 1/64$.XX ± .01 ± 0.1 .XXX ± .001 .XXXX ± .0005	CAD GENERATED DRAWING, DO NOT MANUALLY UPDATE		 1310 Thurman Street Lodi CA, 95240 Ph: (209) 333-2120 Fx: (209) 333-8623 info@scientificspecialties.com
	APPROVALS	DATE	
DRAWN S.Gallagher	17APR13	SIZE A	
CHECKED		SHRINK RATE	
RESP ENG		SCALE	
MANUFACTURERS MATERIAL:	MFG ENG	JOB NO.	REV. -
FINISH	QUAL ENG	SHEET	1 OF 1
DO NOT SCALE DRAWING			