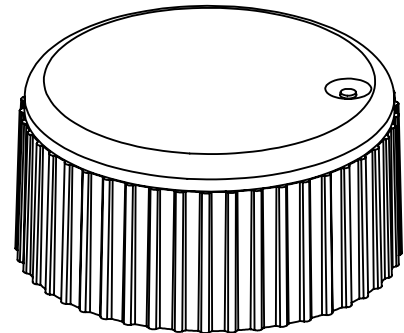
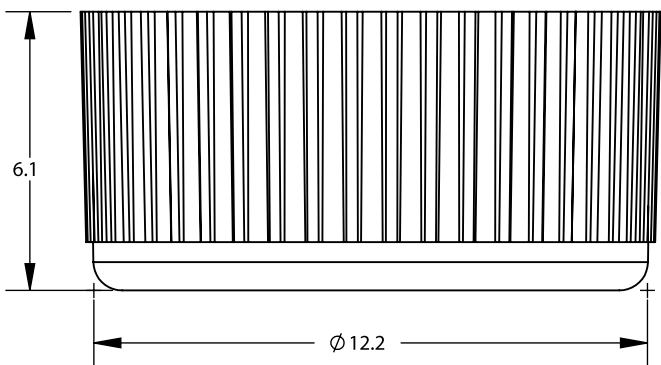
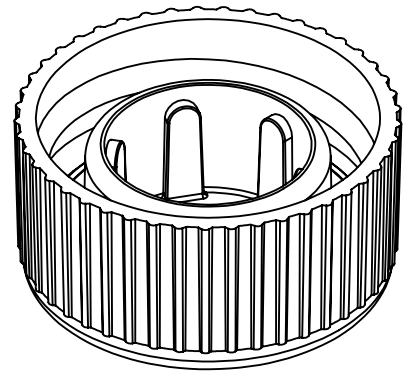


SECTION A-A
SCALE: 5 : 1



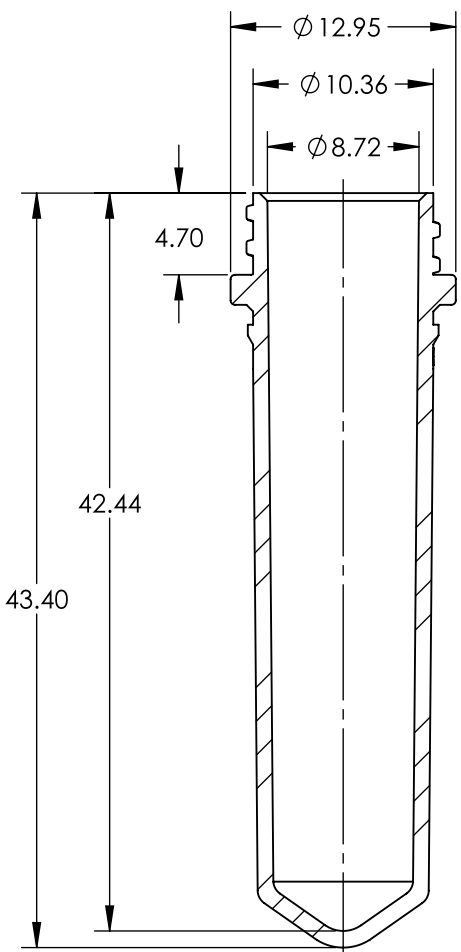
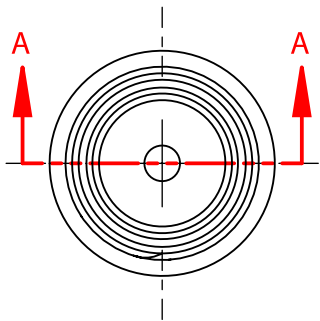
| | | |
|---|--|-----------|
| UNLESS OTHERWISE SPECIFIED DIMENSIONS ARE IN MILLIMETERS | CAD GENERATED DRAWING, DO NOT MANUALLY UPDATE | |
| | APPROVALS | DATE |
| | DRAWN: P. DO | 3/21/2018 |
| SSI MATERIAL: | CHECKED: | |
| MANUFACTURER'S MATERIAL: | RESP ENG: | |
| FINISH: | MFG ENG: | |
| DO NOT SCALE DRAWING | QUAL ENG: | |

SSI
1310 Thurman Street
Lodi CA, 95240
Ph: (209) 333-2120
Fx: (209) 333-8623
info@scientificspecialties.com

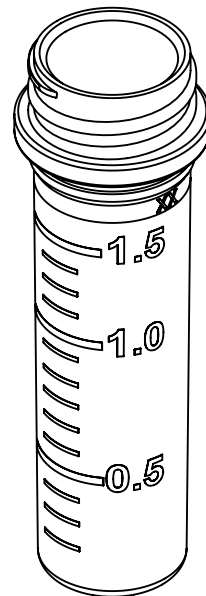
2001-XX
SCREW CAP ASSEMBLY

| | | |
|------------|--------------|---------------|
| SIZE: A | SHRINK RATE: | REV.: REL |
| SCALE: 1:1 | JOB NO.: | SHEET: 1 OF 1 |

PRINTED 3/21/2018



SECTION A-A
SCALE: 2.3 : 1



| | | |
|---|--|-----------|
| UNLESS OTHERWISE SPECIFIED DIMENSIONS ARE IN MILLIMETERS | CAD GENERATED DRAWING, DO NOT MANUALLY UPDATE | |
| | APPROVALS | DATE |
| | DRAWN: P. DO | 3/18/2015 |
| SSI MATERIAL: ---- | CHECKED: | |
| MANUFACTURER'S MATERIAL: | RESP ENG: | |
| FINISH: ---- | MFG ENG: | |
| DO NOT SCALE DRAWING | QUAL ENG: | |

SSI
1310 Thurman Street
Lodi CA, 95240
Ph: (209) 333-2120
Fx: (209) 333-8623
info@scientificspecialties.com

2630-00 (METRIC)
2.0mL SCREW CAP TUBE - CONICAL GRADUATED

| | | |
|------------|--------------|---------------|
| SIZE: A | SHRINK RATE: | REV.: 2 |
| SCALE: 1:1 | JOB NO.: | SHEET: 1 OF 1 |

PRINTED 3/19/2015