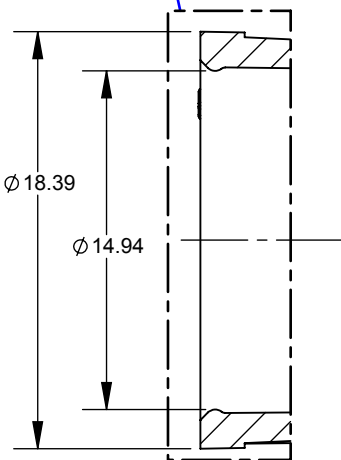
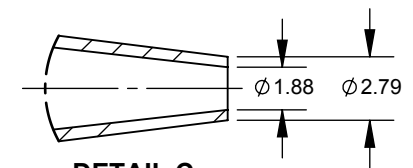



**SECTION B-B
SCALE: 1.1 : 1**



**DETAIL A
SCALE: 3 : 1**



**DETAIL C
SCALE: 3 : 1**

UNLESS OTHERWISE SPECIFIED DIMENSIONS ARE IN MILLIMETERS	CAD GENERATED DRAWING, DO NOT MANUALLY UPDATE		 1310 Thurman Street Lodi CA, 95240 Ph: (209) 333-2120 F: (209) 333-8623 info@scientificspecialties.com
	APPROVALS	DATE	
SSI MATERIAL:	DRAWN: P. DO	6/27/2016	4530-XX 10mL PIPETTE TIP
MANUFACTURER'S MATERIAL:	CHECKED:		
FINISH:	DESIGN ENG:		
DO NOT SCALE DRAWING	MFG ENG:		
	QUAL ENG:		SIZE: A SHRINK RATE: SCALE: 1:1 JOB NO.: SHEET: 1 OF 1
			REV.: 2

PRINTED 6/27/2016